

## FEATURES

- Two way shut-off valves for the control air, inert gas, water, oil and other gases/liquids compatible with the sealing material used
- Valves do not require a minimum operating pressure
- All products are covered by Pressure Equipment Directive 2014/68/EU and are suitable for group 1 and 2 fluids
- The solenoid valves satisfy all relevant EU directives

## GENERAL

**Differential pressure** See «SPECIFICATIONS» [1 bar = 100 kPa]  
**Maximum viscosity** 65 cSt (mm<sup>2</sup>/s)  
**Response time** 15 - 120 ms

fluids (*)	temperature range (TS)	seal materials (*)
air, inert gas, water, oil	-20°C to +85°C	NBR (nitrile)

## MATERIALS IN CONTACT WITH FLUID

(\*) Ensure that the compatibility of the fluids in contact with the materials is verified

	Brass body	Stainless steel body
<b>Body</b>	Brass	AISI 304 SS
<b>Core tube</b>	Stainless steel	Stainless steel
<b>Core and plugnut</b>	Stainless steel	Stainless steel
<b>Springs</b>	Stainless steel	Stainless steel
<b>Seat</b>	Brass	Stainless steel
<b>Seals, diaphragm &amp; disc</b>	NBR	NBR
<b>Disc holder (NO function)</b>	PA	PA
<b>Shading coil</b>	Copper	Silver

## ELECTRICAL CHARACTERISTICS

**Coil insulation class** F or H  
**Connector** Spade plug (cable Ø 6-10 mm)  
**Connector specification** ISO 4400 / EN 175301-803, form A  
**Electrical safety** IEC 335  
**Electrical enclosure protection** Moulded IP65 (EN 60529)  
**Standard voltages** DC (=) : 24V - 48V  
 (Other voltages and 60 Hz on request) AC (~) : 24V - 48V - 115V - 230V / 50 Hz

prefix option	power ratings				operator ambient temperature range (TS) (C°)	replacement coil		type <sup>(1)</sup>
	inrush		holding			230 V/50 Hz	24 V DC	
	~	=	~	=				
SC	5	23	10,5	9/ 11,2	-20 to +75	400425-117	400425-142	01
	78	35	16,7	-	-20 to +50	400425-217	-	01
	110	33,6	15,4	-	-20 to +75	400525-117	-	02
	240	43	20	16,8/23	-20 to +50	400525-217	400625-242	02

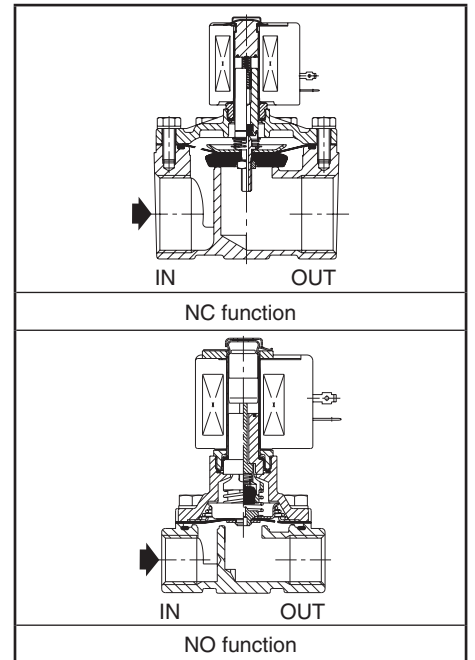
<sup>(1)</sup> Refer to the dimensional drawings on the following page.

## SPECIFICATIONS

pipe size	orifice size (mm)	flow coefficient Kv (m <sup>3</sup> /h) (l/min)		operating pressure differential (bar)						power coil (W)		catalogue number		options						
				min.	max. (PS)			max. (PS)	max. (PS)					max. (PS)	brass	stainless steel	maintained man. operator	FPM	EPDM	CR
					air (*)	water (*)	oil (*)													
<b>NC - Normally closed</b>																				
Rp 3/8	16	2,6	43	0	9	3	9	3	-	-	10,5	11,2	SCE210C093	-	MO	V	E	J		
Rp 1/2	16	3,4	57	0	9	3	9	3	-	-	10,5	11,2	SCE210C094	-	MO	V	E	J		
G 1/2	16	3,4	57	0	9	3	9	3	9	-	16,7	11,2	-	SCG210C087	MO	V	E	J		
Rp 3/4	19	4,3	72	0	9	3	9	3	-	-	10,5	11,2	SCE210D095	-	MO	V	E	J		
G 3/4	16	3,9	65	0	9	3	9	3	9	-	16,7	11,2	-	SCG210C088	MO	V	E	J		
Rp 1	25	11,1	185	0	9	7	9	7	9	5	15,4	23	SCE210B154 <sup>(3)</sup>	-	MO	V	E	J		
G 1	25	9,6	160	0	9	7	9	7	9	5	15,4	23	-	SCG210D189	-	V	E	J		
Rp 1 1/4	28	12,8	213	0	9	6	9	6	9	4	15,4	23	SCE210B155 <sup>(3)</sup>	-	MO	V	E	J		
Rp 1 1/2	32	19,3	322	0	9	5	9	5	9	3	15,4	23	SCE210B156 <sup>(3)</sup>	-	MO	V	E	J		
<b>NO - Normally open</b>																				
Rp 3/8	16	2,6	43	0	9	9	9	9	9	5	10,5	11,2	SCE210C033	-	-	V	E	J		
Rp 1/2	16	3,4	57	0	9	9	9	9	9	5	10,5	11,2	SCE210C034	-	-	V	E	J		
NPT 1/2	16	2,6	43	0	9	9	9	9	7	5	10,5	11,2	-	SCB210B030	-	V	E	J		
Rp 3/4	19	4,7	79	0	9	9	9	9	9	5	10,5	11,2	SCE210C035	-	-	V	E	J		
NPT 3/4	16	2,6	43	0	9	9	9	9	7	5	10,5	11,2	-	SCB210B038	-	V	E	J		
Rp 1	25	11,2	185	0	9	-	9	-	9	-	20	-	SCE210B057 <sup>(2)</sup>	-	-	V	E	J		
Rp 1 1/4	28	12,8	213	0	9	-	9	-	9	-	20	-	SCE210B058 <sup>(2)</sup>	-	-	V	E	J		
Rp 1 1/2	32	19,3	322	0	9	-	9	-	9	-	20	-	SCE210B059 <sup>(2)</sup>	-	-	V	E	J		

<sup>(2)</sup> Mounting position: piping horizontal, solenoid upright.

<sup>(3)</sup> Mounting position, DC only: piping horizontal, solenoid upright.



**OPTIONS**

- Valves can also be supplied with FPM (fluoroelastomer), EPDM (ethylene-propylene) and CR (chloroprene) diaphragms, seals and discs. Use the appropriate optional suffix letter for identification
- Waterproof enclosure with embedded screw terminal coil according to protection class IP67, CEE-10
- Explosionproof enclosures for use in zones 1/21-2/22, categories 2-3 to ATEX Directive 2014/34/EU (see "Explosionproof solenoids" section)
- Electrical enclosures according to "NEMA" standards are available
- Compliance with "UL", "CSA" and other local approvals available on request
- Mounting brackets for brass bodied valves, suffix MB (Except pipe size Rp 1, 1 1/4 and 1 1/2)
- For protection against corrosion caused by the environment or the fluid, contact us
- Other pipe connections are available on request
- Plug with visual indication and peak voltage suppression or with cable length of 2 m (see Solenoids, Coils & Accessories section)

**INSTALLATION**

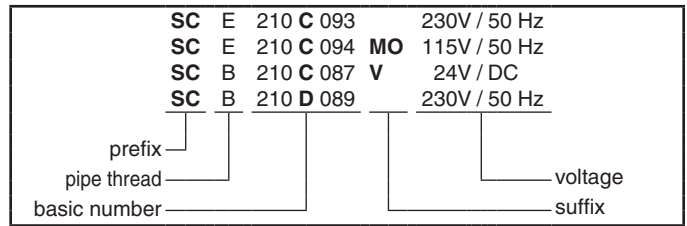
- The solenoid valves can be mounted in any position without affecting operation, unless indicated otherwise in the specifications table.
- Stainless steel valves are standard supplied with mounting brackets
- Pipe connection identifiers are: G = G (ISO 228/1), E = Rp (ISO 7/1) or B = NPT (ANSI 1.20.3)
- Installation/maintenance instructions are included with each valve

**SPARE PARTS KIT & ACCESSORIES**

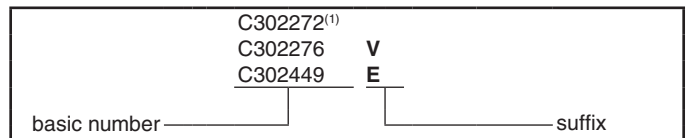
catalogue number	spare parts kit no.		mounting bracket
	~	=	
SCE210C093/C094	<b>C302272</b>	<b>C302372</b>	<b>038713-000</b>
SCE210D095	<b>C302276</b>	<b>C302375</b>	<b>038713-000</b>
SCE210B154	<b>C302283</b>	<b>C133800</b>	-
SCE210B155	<b>C302283</b>	<b>C133801</b>	-
SCE210B156	<b>C302286</b>	<b>C133802</b>	-
SCE210C033/C034	<b>C302334</b>	<b>C302449</b>	<b>038713-000</b>
SCE210C035	<b>C302335</b>	<b>C302450</b>	<b>038713-000</b>
SCE210B057	<b>C302337</b>	-	-
SCE210B058	<b>C302339</b>	-	-
SCE210B059	<b>C302340</b>	-	-
SCG210C087/C088	<b>C302328</b>	<b>C302423</b>	<b>038713-000</b>
SCB210B030/B038	<b>C302347</b>	<b>C302447</b>	-
SCG210D189	<b>C302329</b>	<b>C133668</b>	-

(1) Standard prefixes/suffixes are also applicable to kits.  
 - Not available

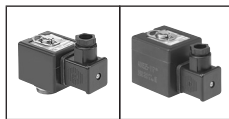
**ORDERING EXAMPLES:**



**ORDERING EXAMPLES KITS:**



**DIMENSIONS (mm), WEIGHT (kg)**

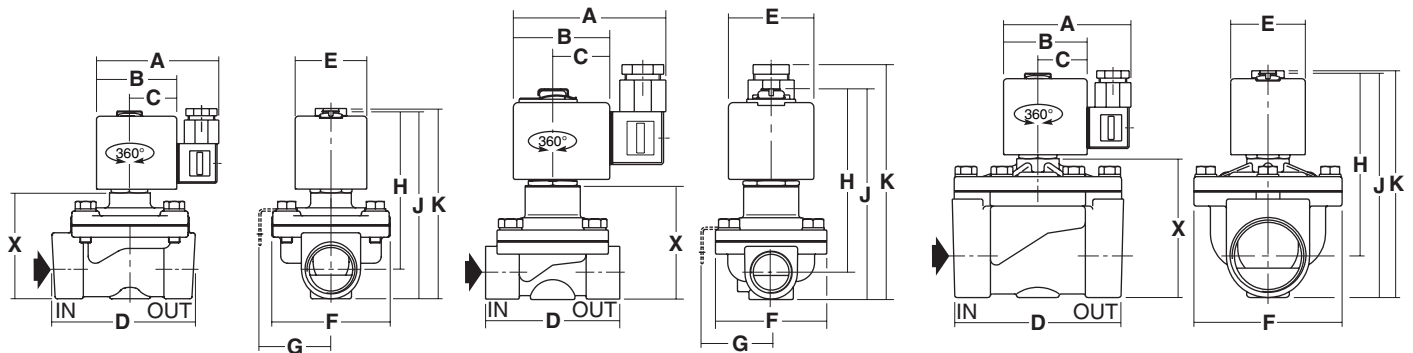


**TYPE 01-02**  
 Prefix "SC" Solenoid  
 Epoxy moulded  
 IEC 335 / ISO 4400  
 IP65

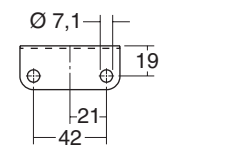
**Type 01: SCE210C093/C094/D095**  
 SCG210C087/C088  
**Type 02: SCE210B154/B155**  
 SCG210D189

**Type 01: SCE210C033/C034/C035**  
 SCB210B030/B038  
**Type 02: SCB210B057/B058/B059**

**Type 02: SCE210B156**



type	prefix option	catalogue number	A	B	C	D	E	F	G	H	J	K	X	weight <sup>(2)</sup>
01	SC	SCE210C093/C094	80	50	30	70	45	58	41	80	97	109	46	0,8
		SCE210D095	80	50	30	73	45	58	41	89	103	121	54	1,0
		SCG210C087/C088	80	50	30	71	45	61	41	87	105	122	55	1,0
		SCE210C033/C034	80	50	30	70	45	58	41	98	108	127	60	0,9
		SCE210C035	80	50	30	70	45	58	41	102	117	132	68	1,0
		SCB210B030/B038	80	50	30	71	45	59	41	100	116	133	67	1,0
02	SC	SCE210B156	86	56	33	111	50	99	-	125	153	158	96	2,8
		SCE210B154	86	56	33	95	50	83	-	112	129	137	75	2,0
		SCE210B155	86	56	33	95	50	83	-	112	143	148	86	2,0
		SCG210D189	86	56	33	95	50	99	56	113	133	132	77	2,2
		SCE210B057	86	56	33	95	50	83	-	155	172	157	98	2,0
		SCE210B058	86	56	33	95	50	83	-	161	187	187	130	2,0
SCE210B059	86	56	33	111	50	99	-	167	194	194	137	2,5		



Mounting brackets for valves: 0,3 kg  
 SCE210C093/C094/D095  
 SCG210C087/C088/D189  
 SCE210C033/C034/C035

(2) Incl. coil(s) and connector(s)

All leaflets are available on: [www.asco.com](http://www.asco.com)