

MODEL NUMBER

TVH-MX0GNMM

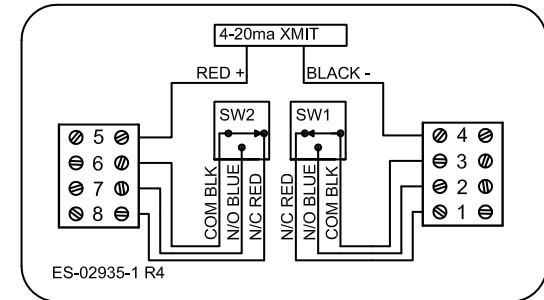
PRODUCT LINE

Switchbox TVF, TVH, and TVL

SPECIFICATIONS

Enclosure	316 Stainless Steel base and lid
Bus/Sensor	4-20 mA Transmitter w/ (2) Mech SPDT
Area Classification	Intrinsically safe
Visual Display	Standard 90° Green OPEN, Red CLOSED
Shaft	NAMUR
Conduit Entries	(2) M20
O-Rings	Silicone
Pilot	No pilot option
Spool Valve	No spool valve option
Valve Cv	No valve Cv option
Manual Override	No manual override option
Regional Certification	No regional cert option
N Switch	No N Switch

WIRING DIAGRAM



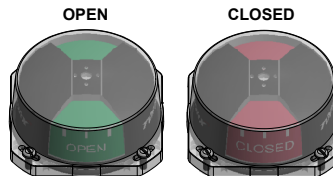
NAMEPLATE



TELEMETERING EQUIPMENT FOR HAZARDOUS LOCATIONS
WARNING: Substitution of components may impair intrinsic safety. Enclosure contains aluminum - avoid ignition hazards due to impact or friction. Potential electrostatic charging hazard. Clean only with damp cloth.
AVERTISSEMENT: La substitution de composants peut compromettre la sécurité intrinsèque. Boîtier contient de l'aluminium - éviter inflammation due à des risques d'impact ou de friction. Danger potentiel de charge électrostatique. Nettoyer avec un chiffon humide.

CI I Div 1, Grps A-D; CI II Div 1, Grps E-G, Type 4X
 Ex ia IIC T4 Gb; Ex tb IIIC T75°C Db; IP66/68
 -40°C ≤ Ta ≤ 52°C
 Sira I3ATEX2356AX IECEx SIR 13.0146X
 Intrinsically Safe - Exia / Sécurité Intrinsèque
 Install per Control Drawing ES-03837-1
Model #:

TopWorx
 3300 Fern Valley Road
 Louisville, KY 40213 USA
 www.topworx.com
Serial #:



Current as of April 18, 2017 – Subject to change without notice.

TOPWORX

3300 Fern Valley Road
 Louisville, KY 40213

(502)969-8000 PH
 (502)969-5911 FAX
 www.topworx.com



Actuation Valve

www.actuation.co.uk
 tel: +44 (0)151 547 1221
 sales@actuation.co.uk