

MODEL NUMBER

TVL-AS2GNPM

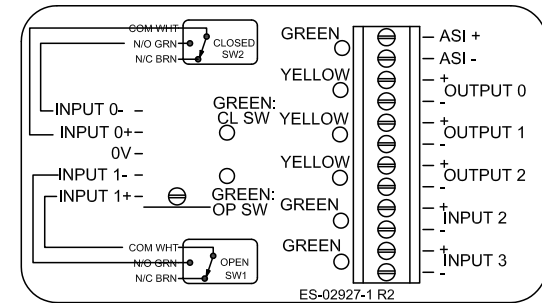
PRODUCT LINE

Switchbox TVF, TVH, and TVL

SPECIFICATIONS

Enclosure	Tropicalized Aluminum base and lid
Bus/Sensor	AS-Interface
Area Classification	Non-incendive
Visual Display	Standard 90° Green OPEN, Red CLOSED
Shaft	NAMUR
Conduit Entries	(2) 1/2" NPT
O-Rings	Silicone
Pilot	No pilot option
Spool Valve	No spool valve option
Valve Cv	No valve Cv option
Manual Override	No manual override option
Regional Certification	No regional cert option
N Switch	No N Switch

WIRING DIAGRAM



Current as of April 19, 2017 – Subject to change without notice.

TOPWORX

3300 Fern Valley Road
Louisville, KY 40213

(502)969-8000 PH
(502)969-5911 FAX
www.topworx.com

NAMEPLATE

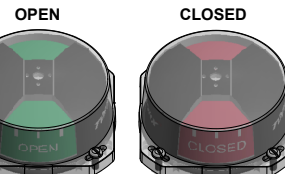


Topworx
3300 Fern Valley Road
Louisville, KY 40213 USA
www.topworx.com
CI I Div 2, Grps A-D; CI II Div 2, Grps F-G; Type 4X
Ex nA nC IIC T4 Gc; Ex tc IIIC T115 C Dc; IP66/68
-40°C ≤ Ta ≤ 60°C
Sire 12ATEX4210X, IECEx SIR 12.0089X
BUS: 24VDC, Class 2 Power

Telemetering Equipment for Hazardous Locations
WARNING: Substitution of components may impair suitability for use in Class I, Division 2 or Zone 2 environments. Must be known to be non-hazardous area before servicing. Enclosure contains aluminum - avoid ignition hazards due to impact or friction. Potential electrostatic charging hazard. Clean only with damp cloth.
AVERTISSEMENT: La substitution de composants peut nuire à l'utilisation en Classe I, Division 2 environnements. Doivent être connus pour être des zones non dangereuses avant l'entretien. Boîtier contient de l'aluminium - éviter inflammation due à des risques d'impact ou de friction. Danger potentiel de charge électrostatique - Nettoyer avec un chiffon humide.

Model #:

Serial #:



www.actuation.co.uk
tel: +44 (0)151 547 1221
sales@actuation.co.uk