

**MODEL NUMBER**

11-12510-00

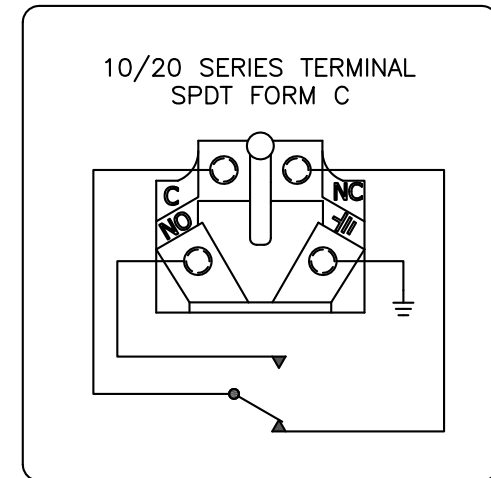
**PRODUCT LINE**

GO™ Switch 10/20 Series

**SPECIFICATIONS**

|                        |                             |
|------------------------|-----------------------------|
| Model                  | 11 Model                    |
| Contact Form           | SPDT (Form C)               |
| Sensing Range          | Extended approx. 9/16" side |
| Outlet Position        | Bottom of enclosure         |
| Enclosure Material     | Brass w/flat black lacquer  |
| Area Classification    | CSA/FM CI I, Div 2          |
| Wiring Options         | Terminal block - 1/2" NPT   |
| Regional Certification | No regional certification   |
| Custom Field           |                             |

**WIRING DIAGRAM**



Current as of April 20, 2018 – Subject to change without notice.

**NAMEPLATE**



CL I DIV 2, GRPS A,B,C,D; CL II DIV 1, GRPS E,F,G; CL III, TYPE 4X  
 T<sub>1</sub>/T<sub>2</sub>: 50°C ≤ T<sub>a</sub> ≤ 60°C/90°C  
 ELECTRICAL RATING: 120VAC/10A, 240VAC/3A RESISTIVE; 480VAC/240VDC MAX.  
 LEAD SEAL IS REQUIRED WITHIN 18" OF ENCLOSURE.  
 CAUTION: KEEP COVER TIGHT WHILE CIRCUITS ARE LIVE.

Model #: \_\_\_\_\_ Serial #: \_\_\_\_\_

**TOPWORX**

3300 Fern Valley Road  
 Louisville, KY 40213

(502)969-8000 PH  
 (502)969-5911 FAX  
 www.topworx.com

**www.actuation.co.uk**  
**tel: +44 (0)151 547 1221**  
**sales@actuation.co.uk**