

MODEL NUMBER

7E-73658-DCA

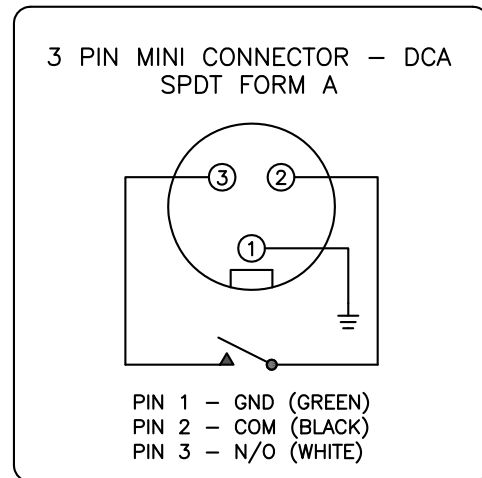
PRODUCT LINE

GO™ Switch 70 Series STG

SPECIFICATIONS

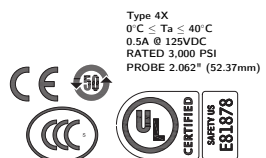
Model	2.062" probe length
Contact Form	SPST, form A, no indication
Sensing Range	0.090" end sensing
Outlet Position	Side entry, for QDC
Enclosure Material	Stainless steel, 3000 PSI
Area Classification	UL General Purpose
Wiring Option	QDC, mini, 3 pin
Custom Field	

WIRING DIAGRAM



Current as of April 18, 2018 – Subject to change without notice.

NAMEPLATE



TOPWORX

3300 Fern Valley Road
Louisville, KY 40213

(502)969-8000 PH
(502)969-5911 FAX
www.topworx.com

www.actuation.co.uk
tel: +44 (0)151 547 1221
sales@actuation.co.uk