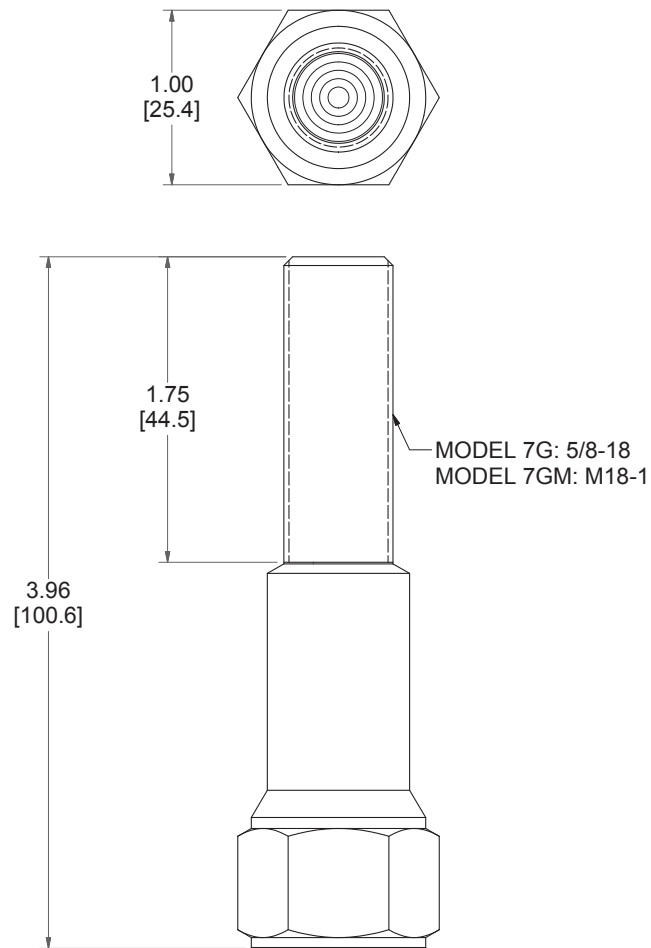


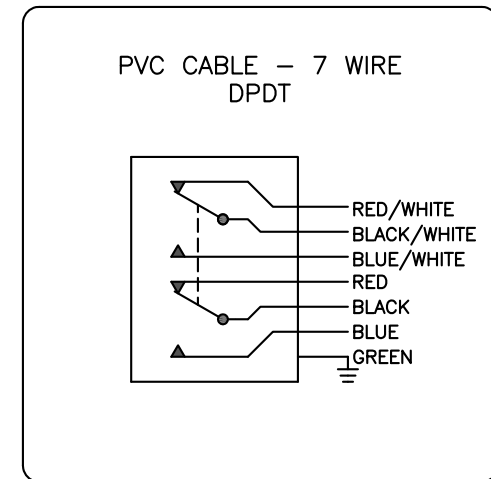


7G-23569-B2

GO™ Switch 70 Series Hex Head



Model	7G Model
Contact Form	DPDT
Sensing Range	0.100" end sensing
Outlet Position	Bottom of enclosure
Enclosure Material	316L Stainless Steel
Area Classification	ATEX/IECEX Zone 1, Exdb
Wiring Option	PVC cable, 3ft
Regional Certification	No Regional Certification
Custom Field	



Ex db IIC T6 Gb
 Ex tb IIIC T85°C Db
 -40°C ≤ Ta ≤ 50°C; IP66
 120VAC/3A; 24VDC/1A Resistive
 Conduit: 1/2 NPT
 Baseefa 08ATEX0360X IECEx BAS 08.0122X



Current as of April 20, 2018 – Subject to change without notice.

www.actuation.co.uk
 tel: +44 (0)151 547 1221
 sales@actuation.co.uk