

MODEL NUMBER

81-20516-A2

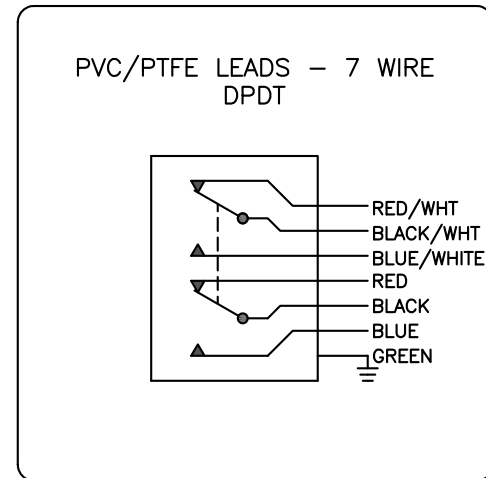
PRODUCT LINE

GO™ Switch Model 81

SPECIFICATIONS

Model	81 Model
Contact Form	DPDT (Form CC)
Sensing Range	Approx. 1/4" end sensing
Outlet Position	Bottom of enclosure
Enclosure Material	Brass w/flat black lacquer
Area Classification	CSA/FM CI 1, Div 2
Wiring Options	3ft PVC lead wires
Regional Certification	no regional certification
Custom field	

WIRING DIAGRAM



Current as of April 20, 2018 – Subject to change without notice.

NAMEPLATE



CL I DIV 2, GRPS A,B,C,D; CL II DIV 2, GRPS F,G; CI III;
ELECTRICAL RATING: 120VAC/10A, 24VDC/3A RESISTIVE; 600VAC MAX
LEAD SEAL IS REQUIRED WITHIN 18" OF ENCLOSURE.

Model #:

Serial #:



TOPWORX™

3300 Fern Valley Road
Louisville, KY 40213

(502)969-8000 PH
(502)969-5911 FAX
www.topworx.com

www.actuation.co.uk
tel: +44 (0)151 547 1221
sales@actuation.co.uk