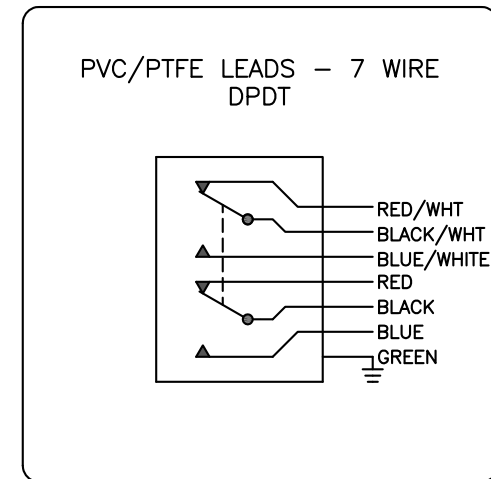


81-20516-A3

GO™ Switch Model 81

Model	81 Model
Contact Form	DPDT (Form CC)
Sensing Range	Approx. 1/4" end sensing
Outlet Position	Bottom of enclosure
Enclosure Material	Brass w/flat black lacquer
Area Classification	CSA/FM CI 1, Div 2
Wiring Options	6ft PVC lead wires
Regional Certification	no regional certification
Custom field	



CL I DIV 2, GRPS A,B,C,D; CL II DIV 2, GRPS F,G; CI III;  
ELECTRICAL RATING: 120VAC/10A, 24VDC/3A RESISTIVE; 600VAC MAX  
LEAD SEAL IS REQUIRED WITHIN 18" OF ENCLOSURE.

Model #:

Serial #:

Current as of April 20, 2018 – Subject to change without notice.

**www.actuation.co.uk**  
**tel: +44 (0)151 547 1221**  
**sales@actuation.co.uk**