

## FEATURES

- Two way shut-off valves for automatic control of air, inert gas, water, oil and other gases/liquids compatible with the seal materials used
- Valves require a minimum  $\Delta P$  of 0,35 bar
- All NO products are covered by Pressure Equipment Directive 2014/68/EU and are suitable for group 1 and 2 fluids
- Electrovanne conforme aux Directives UE applicables

## GENERAL

**Differential pressure** See «SPECIFICATIONS» [1 bar =100 kPa]  
**Maximum viscosity** 65 cSt (mm<sup>2</sup>/s)  
**Response time** 15 - 60 ms (3/8 to 3/4); 40 - 120 ms (1 to 1 1/2)

fluids (*)	temperature range (TS)	seal materials (*)
air, inert gas, water, oil	-20°C to +85°C	NBR (nitrile)

## MATERIALS IN CONTACT WITH FLUID

(\*) Ensure that the compatibility of the fluids in contact with the materials is verified

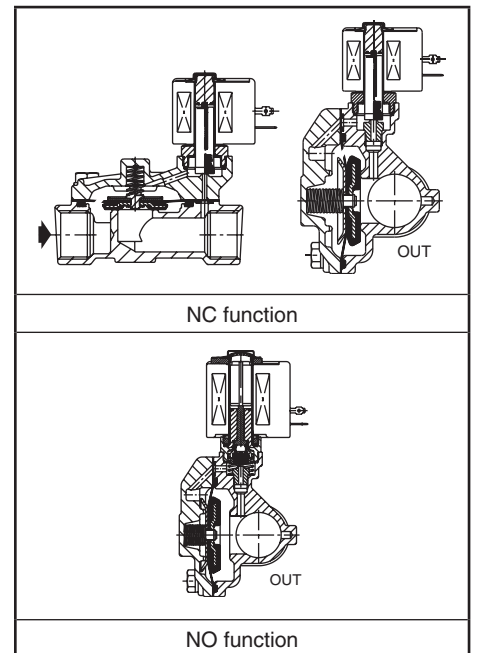
Body	Brass
Core tube	Stainless steel
Core and plugnut	Stainless steel
Springs	Stainless steel
Seat	Brass
Seal, diaphragm & disc	NBR
Disc holder (NO function)	PA
Shading coil	Copper

## ELECTRICAL CHARACTERISTICS

**Coil insulation class** F  
**Connector** Spade plug (cable Ø 6-10 mm)  
**Connector specification** ISO 4400 / EN 175301-803, form A  
**Electrical safety** IEC 335  
**Electrical enclosure protection** Moulded IP65 (EN 60529)  
**Standard voltages** DC (=) : 24V - 48V  
 (Other voltages and 60 Hz on request) AC (~) : 24V - 48V - 115V - 230V / 50 Hz

prefix option	power ratings				operator ambient temperature range (TS) (C°)	replacement coil		type <sup>(1)</sup>
	inrush ~	holding ~		hot/cold =		~	=	
	(VA)	(VA)	(W)	(W)		230 V/50 Hz	24 V DC	
SC	34	15,6	6	-	-20 to +75	400325-117	-	01
	-	-	-	9/ 11,2	-20 to +75	-	400425-142	02
	78	35	16,7	-	-20 to +50	400425-217	-	02
	110	33,6	15,4	12/16,8	-20 to +75	400525-117	400625-142	03

<sup>(1)</sup> Refer to the dimensional drawings on the following page.



## SPECIFICATIONS

pipe size	orifice size	flow coefficient Kv		min.	operating pressure differential (bar)						power coil (W)		catalogue number	options			
					max. (PS)									maintained man.-operator	FPM	EPDM	CR
					air (*)		water (*)		oil (*)								
Rp	(mm)	(m <sup>3</sup> /h)	(l/min)		~	=	~	=	~	=	~	=					
<b>NC - Normally closed</b>																	
3/8	16	2,6	43	0,35	14	9	10	7	10	7	6	11,2	SCE210D001	MO	V	E	J
					20	-	20	-	20	-	16,7	-	SCE210C006	MO	V	E	J
1/2	16	3,4	57	0,35	14	9	10	7	10	7	6	11,2	SCE210D002	MO	V	E	J
					20	-	20	-	20	-	16,7	-	SCE210C007	MO	V	E	J
3/4	19	4,3	72	0,35	9	7	9	6	9	5	6	11,2	SCE210D009	MO	V	E	J
		5,6	93	0,35	17	9	10	9	10	9	6	11,2	SCE210D003	MO	V	E	J
1	25	11,1	185	0,35	9	9	9	9	9	9	6	11,2	SCE210D004	MO	V	E	J
1 1/4	28	12,8	213	0,35	9	9	9	9	9	9	6	11,2	SCE210D008	MO	V	E	J
1 1/2	32	19,3	322	0,35	9	9	9	9	9	9	6	11,2	SCE210D022	MO	V	E	J
<b>NO - Normally open</b>																	
3/4	19	5,7	95	0,35	17	17	14	14	14	14	15,4	16,8	SCE210C013	MO	V	E	J
1	25	11,1	185	0,35	9	9	9	9	9	9	15,4	16,8	SCE210D014	MO	V	E	J
1 1/4	28	12,8	213	0,35	9	9	9	9	9	9	15,4	16,8	SCE210D018	MO	V	E	J
1 1/2	32	19,3	322	0,35	9	9	9	9	9	9	15,4	16,8	SCE210D032	-	V	E	J
2	44	37	617	0,35	9	9	9	9	9	9	15,4	16,8	SCE210-103 <sup>(2)</sup>	-	V	E	J

<sup>(2)</sup> Floating piston construction.

**OPTIONS**

- Valves can also be supplied with FPM (fluoroelastomer), EPDM (ethylene-propylene), CR (chloroprene) and PTFE seals and discs. Use the appropriate optional suffix letter for identification.
- Waterproof enclosure with embedded screw terminal coil according to protection class IP67, CEE-10
- Explosionproof enclosures for use in zones 1/21-2/22, categories 2-3 to ATEX Directive 2014/34/EU (see "Explosionproof solenoids" section)
- Electrical enclosures according to "NEMA" standards are available
- Compliance with "UL", "CSA" and other local approvals available on request
- For protection against corrosion caused by the environment or the fluid, contact us
- Mounting brackets (3/8 to 3/4 solenoid valves)
- Other pipe connections are available on request
- Plug with visual indication and peak voltage suppression or with cable length of 2 m (see Solenoids, Coils & Accessories section)

**INSTALLATION**

- The solenoid valves can be mounted in any position without affecting operation
- Stainless steel valves are standard supplied with mounting brackets
- Pipe connection identifier is E = Rp (ISO 7/1)
- Installation/maintenance instructions are included with each valve

**SPARE PARTS KIT & ACCESSORIES**

catalogue number	spare parts kit no.		mounting bracket
	-	=	
SCE210D001/D002	<b>C302273</b>	<b>C302373</b>	<b>038713-000</b>
SCE210D009	<b>C302277</b>	<b>C302376</b>	<b>038713-000</b>
SCE210C006/C007	<b>C302274</b>	-	<b>038713-000</b>
SCE210D003	<b>C302279</b>	<b>C302378</b>	<b>038914</b>
SCE210D004/D008	<b>C302280</b>	<b>C302379</b>	-
SCE210D022	<b>C302284</b>	<b>C302383</b>	-
SCE210C013	<b>C302336</b>	<b>C302451</b>	<b>038914</b>
SCE210D014/D018	<b>C302338</b>	<b>C302452</b>	-
SCE210D032	<b>C302341</b>	<b>C302453</b>	-
SCE210-103	<b>C304361</b>	<b>C304361</b>	-

(1) Standard prefixes/suffixes are also applicable to kits.  
 - Not available

**ORDERING EXAMPLES:**

SC	E	210	D	001	230V / 50 Hz
SC	E	210	C	007	MO 115V / 50 Hz
SC	E	210	D	022	V 24V / DC
SC	E	210	-	103	230V / 50 Hz

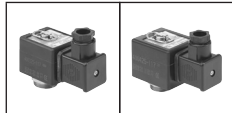
prefix: SC, pipe thread: E, basic number: 210, suffix: D, voltage: 001, MO, V, 103

**ORDERING EXAMPLES KITS:**

C302277 <sup>(1)</sup>	V
C302373	E
C302451	

basic number: C302277, C302373, C302451; suffix: V, E

**DIMENSIONS (mm), WEIGHT (kg)**

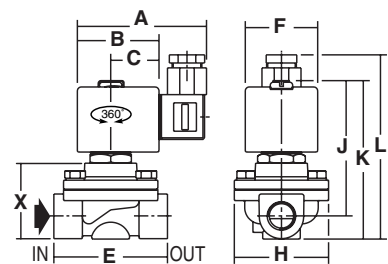
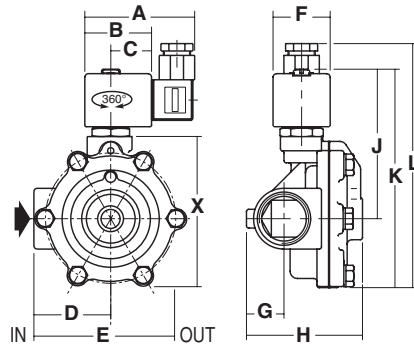
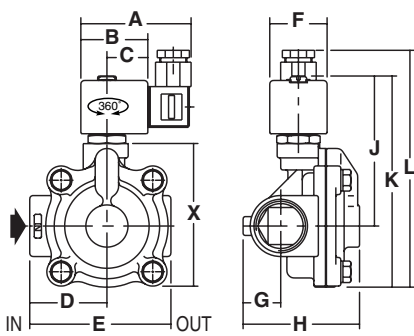


**TYPE 01-02**  
 Prefix "SC" Solenoid  
 Epoxy moulded  
 IEC 335 / ISO 4400  
 IP65

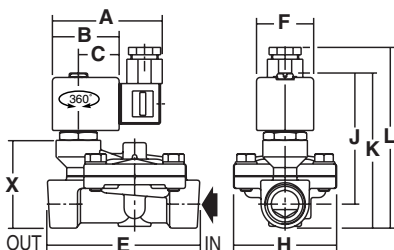
Type 01 (AC): SCE210D004/D008  
 Type 02 (DC): SCE210D004/D008

Type 01 (AC): SCE210D022  
 Type 02 (DC): SCE210D022

Type 01 (AC): SCE210D001/D002/D009  
 Type 02 (DC): SCE210D001/D002/D009  
 (AC): SCE210C006/C007



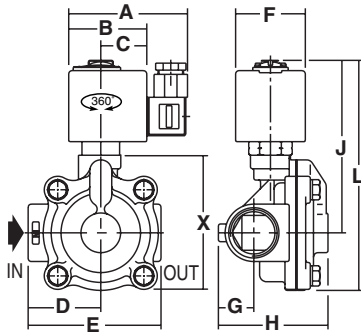
Type 01 (AC): SCE210D003  
 Type 02 (DC): SCE210D003



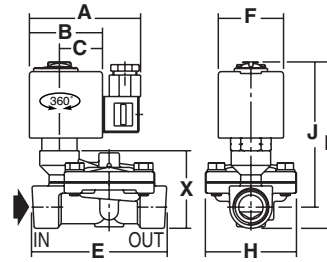


**TYPE 03**  
 Prefix "SC" Solenoid  
 Epoxy moulded  
 IEC 335 / ISO 4400  
 IP65

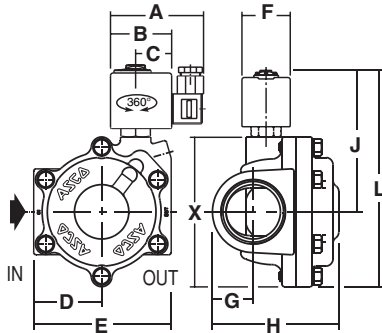
### SCE210D014/D018/D032



### SCE210C013



### SCE210-103



type	prefix option	catalogue number	A	B	C	D	E	F	G	H	J	K	L	X	weight <sup>(2)</sup>
01	SC	SC E210D001/D002	75	45	27	-	70	39	-	58	72	86	103	46	0,8
		SC E210D009	75	45	27	-	71	39	-	58	76	92	109	47	0,8
		SC E210D003	75	45	27	-	100	39	-	70	90	105	122	60	1,3
		SC E210D004	75	45	27	52	95	39	25	75	101	143	160	98	1,8
		SC E210D008	75	45	27	52	95	39	30	85	101	143	160	98	2,0
		SC E210D022	75	45	27	56	111	39	33	100	105	156	173	109	2,5
02	SC	SC E210D001/D002	80	50	30	-	70	45	-	58	85	97	111	46	0,9
		SC E210D009	80	50	30	-	71	45	-	58	89	106	123	57	0,9
		SC E210D003	80	50	30	-	100	45	-	70	94	109	126	60	1,4
		SC E210C006/C007	80	50	30	-	70	45	-	58	85	99	116	50	0,9
		SC E210D004	80	50	30	52	95	45	25	75	105	147	164	98	2,0
		SC E210D008	80	50	30	52	95	45	30	85	105	147	164	98	2,0
03	SC	SC E210D022	80	50	30	56	111	45	33	100	109	160	174	109	2,6
		SC E210C013	86	56	33	-	96	50	-	70	112	-	120	81	1,6
		SC E210D014	86	56	33	52	95	50	25	75	125	-	165	97	2,1
		SC E210D018	86	56	33	52	95	50	30	85	125	-	165	108	2,0
		SC E210D032	86	56	33	56	111	50	33	95	128	-	178	121	2,5
		SC E210-103	86	56	33	65	129	50	38	119	138	-	208	151	4,6

<sup>(2)</sup> Incl. coil(s) and connector(s).

mounting brackets	for valves
	<b>SCE210D001</b> <b>SCE210D002</b> <b>SCE210D009</b> <b>SCE210C006</b> <b>SCE210C007</b>
	<b>SCE210D003</b> <b>SCE210C013</b>

00042GB-2016/R01  
Availability, design and specifications are subject to change without notice. All rights reserved.

