

**MODEL NUMBER**

DXR-L22GSES

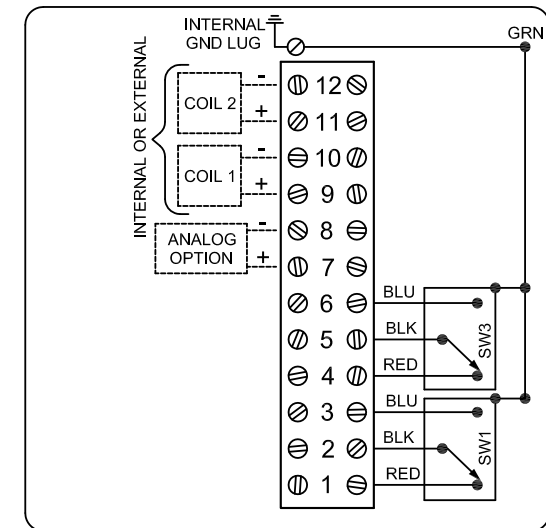
**PRODUCT LINE**

Switchbox DXR

**SPECIFICATIONS**

Enclosure	Composite resin
Bus/Sensor	(2) GO™ Switches SPDT hermetic seal
Area Classification	Non-incendive
Visual Display	Standard 90° Green OPEN, Red CLOSED
Shaft	1/4" DD 304 stainless steel
Conduit Entries	(2) 3/4" NPT
O-Rings	Silicone
Pilot	No pilot device(s)
Spool Valve	No spool valve
Valve Cv	No valve Cv
Manual Override	No manual override
Regional Certification	No regional certification
N Switch	No N Switch

**WIRING DIAGRAM**



Current as of April 12, 2017 – Subject to change without notice.

**NAMEPLATE**



CI I Div 2, Grps A-D; CI II Div 2, Grps F-G; Type 4X  
 Ex nA nC IIC T6 Gc; Ex tc IIIC T55°C Dc; IP67  
 -40°C ≤ Ta ≤ 50°C  
 SWITCH: SPDT 4A/120VAC; 3A/24VDC Hermetically Sealed

**Telemetering Equipment for use In Hazardous Locations**  
**WARNING:** Substitution of components may impair suitability for use In Class I, Division 2 or Zone 2 environments. Must be known to be non-hazardous area before servicing. Clean only with damp cloth.  
**AVERTISSEMENT:** La substitution de composants peut altérer l'aptitude pour une utilisation dans Classe I, Division 2 environnements. Doivent être connus pour être des zones non dangereuses avant l'entretien.

TopWorx  
 3300 Fern Valley Road  
 Louisville, KY 40213 USA  
 www.topworx.com

Model #:

Serial #:

**TOPWORX**

3300 Fern Valley Road  
 Louisville, KY 40213

(502)969-8000 PH  
 (502)969-5911 FAX  
 www.topworx.com



**Actuation Valve**

**www.actuation.co.uk**  
 tel: +44 (0)151 547 1221  
 sales@actuation.co.uk