

**MODEL NUMBER**

**TVF-R22GNEM**

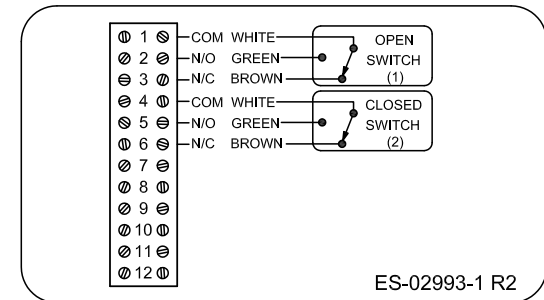
**PRODUCT LINE**

**Switchbox TVF, TVH, and TVL**

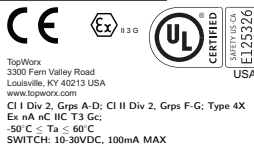
**SPECIFICATIONS**

Enclosure	Tropicalized Aluminum base with clear resin lid
Bus/Sensor	(2) SPDT 200mA max
Area Classification	Non-incendive
Visual Display	Standard 90° Green OPEN, Red CLOSED
Shaft	NAMUR
Conduit Entries	(2) 3/4" NPT
O-Rings	Silicone
Pilot	No pilot option
Spool Valve	No spool valve option
Valve Cv	No valve Cv option
Manual Override	No manual override option
Regional Certification	No regional cert option
N Switch	No N Switch

**WIRING DIAGRAM**



**NAMEPLATE**



Telemetering Equipment for Hazardous Locations  
**WARNING:** Substitution of components may impair suitability for use in Class I, Division 2 or Zone 2 environments. Must be known to be non-hazardous area before servicing. Enclosure contains aluminum - avoid ignition hazards due to impact or friction. Potential electrostatic charging hazard. Clean only with damp cloth.  
**AVERTISSEMENT:** La substitution de composants peut nuire à l'utilisation en Classe I, Division 2 environnements. Doivent être connus pour être des zones non dangereuses avant l'entretien. Boîtier contient de l'aluminium - éviter inflammation due à des risques d'impact ou de friction. Danger potentiel de charge électrostatique - Nettoyer avec un chiffon humide.

Model #: \_\_\_\_\_ Serial #: \_\_\_\_\_

Current as of April 20, 2017 – Subject to change without notice.

**TOPWORX**

3300 Fern Valley Road  
 Louisville, KY 40213

(502)969-8000 PH  
 (502)969-5911 FAX  
 www.topworx.com



**Actuation Valve**

**www.actuation.co.uk**  
 tel: +44 (0)151 547 1221  
 sales@actuation.co.uk